

Specifications

Insulation Resistance: 1,000M Ω min. at 500V DC
 Dielectric Withstanding Voltage: 700V AC for 1 minute
 Contact Resistance: 30m Ω max. at 10m/20mV max.
 Current Rating: 1A max.
 Operating Temperature Range: -40°C to +150°C
 Mating Cycles: 10,000 insertions min.



Part Number (Details)

IC53 - 044 4 - 306

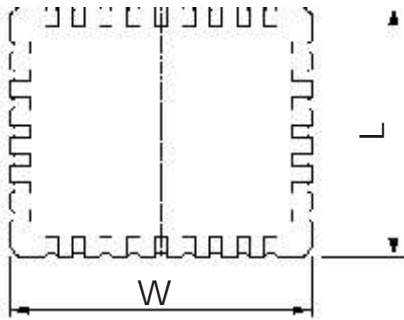
Series No.

No. of Contact Pins

Number of Sides with Contacts

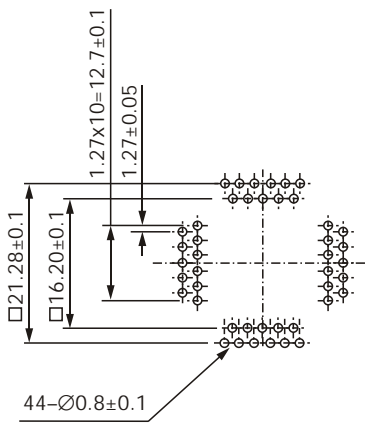
Design Number

Further LCC versions are also available. Please Contact Yamaichi for more information.

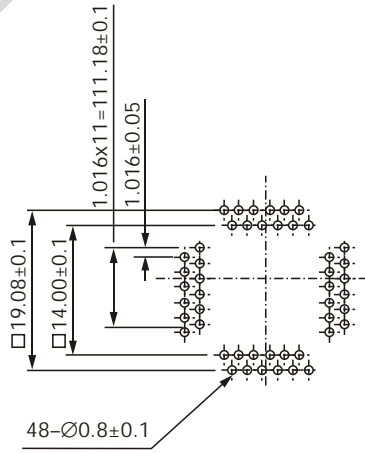


Recommended PCB Layouts (Reference Only)

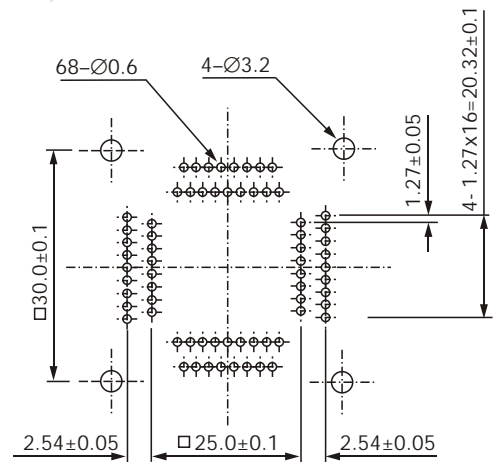
44 pins IC53-0444-306



48 pins IC53-0484-100



68 pins IC51-0684-498



Part Number	Pin Count	Pitch (mm)	IC Dimensions			Contact Position	Socket Material
			W	L	T		
IC53-0444-306	44	1.27	16.31 ~ 16.71	16.31 ~ 16.71	2.50 ~ 3.20	15.4 x 15.4	PES
IC53-0484-100	48	1.016	14.03 ~ 14.52	14.03 ~ 14.52	1.52 ~ 2.12	13.2 x 13.2	PSF
IC51-0684-498	68	1.27	23.88 ~ 24.38	23.88 ~ 24.38	1.27 ~ 1.77	23.0 x 23.0	PES