

Specifications

Insulation Resistance:	1,000M Ω min. at 500V DC or 1,000M Ω min. at 100V DC*
Dielectric Withstanding Voltage:	100V AC for 1 minute or 500V AC for 1 minute or 700V AC for 1 minute* *see table below
Contact Resistance:	30m Ω max. at 10mA/20mV max.
Operating Temperature Range:	-40°C to +170°C
Contact Force:	20g min. per pin at minimum displacement of 0.3mm 80g max. per pin at maximum displacement of 0.7mm

Materials and Finish

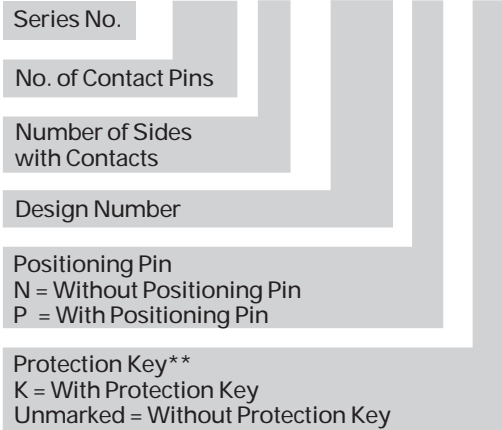
Housing: Polyetherimide (PEI), glass-filled or Polyphenylenesulfide (PPS), glass-filled
 Contacts: Beryllium Copper (BeCu)
 Plating: Gold over Nickel

Features

- ⇨ Open top type sockets for QFP packages
- ⇨ Lever operation ensures low actuation force and high durability
- ⇨ Unique contact design ensures outstanding contact reliability and increased density on burn-in boards

Part Number (Details)

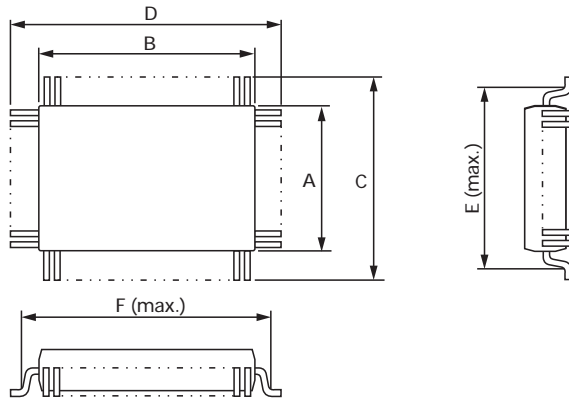
IC200 - 120 4 - 017 * - *



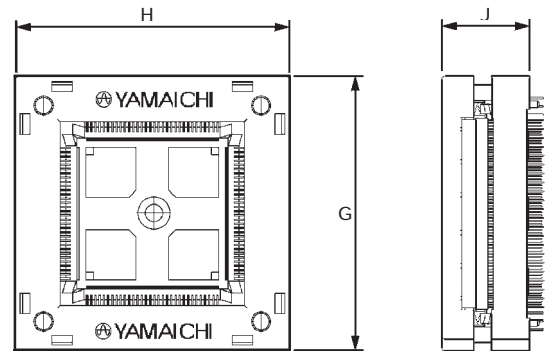
**Protection Key: Prevents IC from releasing during transportation

Applicable Socket and IC Dimensions (Reference Only)

Outline IC Dimensions



Outline Socket Dimensions



DWV = Dielectric Withstanding Voltage

Part Number	Pin Count	Pitch (mm)	Body Width	IC Dimensions						Socket Dimensions			DWV (Volt AC)
				A	B	C	D	E (max)	F (max)	G	H	J	
1)IC201-1204-017 *-*	120	0.5	16 x 16	16.0	16.0	18.4	18.4	17.9	17.9	33.4	33.4	16.5	100
1)IC248-1284-007 *-*	128	0.5	14 x 20	14.0	20.0	16.0	22.0	15.33	21.33	37.4	43.4	19.5	100
IC200-1284-001 *-*	128	0.8	28 x 28	28.0	28.0	32.0	32.0	31.5	31.5	52.0	52.0	16.0	700
1)IC201-1444-026 *-2	144	0.5	20 x 20	20.0	20.0	22.0	22.0	21.5	21.5	37.0	37.0	16.5	100
IC201-1444-034 *	144	0.5	20 x 20	20.0	20.0	22.0	22.0	21.5	21.5	37.0	37.0	16.5	100
1)IC217-1444-003 *	144	0.65	26 x 26	26.0	26.0	30.9	30.9	30.4	30.4	52.0	62.0	19.2	100
IC201-1604-006 *-*	160	0.65	28 x 28	28.0	28.0	31.2	31.2	30.7	30.7	46.2	46.2	16.5	700
1)IC217-1764-004 *	176	0.5	24 x 24	24.0	24.0	26.6	26.6	26.1	26.1	52.0	62.0	19.2	100
IC201-2084-001 *-*	208	0.5	28 x 28	28.0	28.0	30.0	30.0	29.5	29.5	45.0	45.0	16.5	700
IC200-2084-009 *-*	208	0.5	28 x 28	28.0	28.0	31.2	31.2	30.7	30.7	51.2	51.2	16.0	500
1)IC217-2084-001 *	208	0.5	28 x 28	28.0	28.0	30.6	30.6	29.93	29.93	52.0	62.0	19.2	100
1)IC200-2084-010 *-*	208	0.5	28 x 28	28.0	28.0	30.6	30.6	30.1	30.1	50.6	50.6	16.0	100
1)IC201-2084-029 *	208	0.5	28 x 28	28.0	28.0	30.6	30.6	30.1	30.1	45.6	45.6	16.5	100
1)IC217-2404-007 *	240	0.5	32 x 32	32.0	32.0	34.6	34.6	34.0	34.0	56.1	56.1	19.2	100
IC201-2564-002 *-2	256	0.5	28 x 40	28.0	40.0	30.6	42.6	30.1	42.1	45.6	57.6	16.5	700
IC201-3044-004 *-*	304	0.5	40 x 40	40.0	40.0	42.6	42.6	42.1	42.1	57.6	57.6	16.5	500

1) Insulation Resistance: 1,000M Ω min. at 100V DC

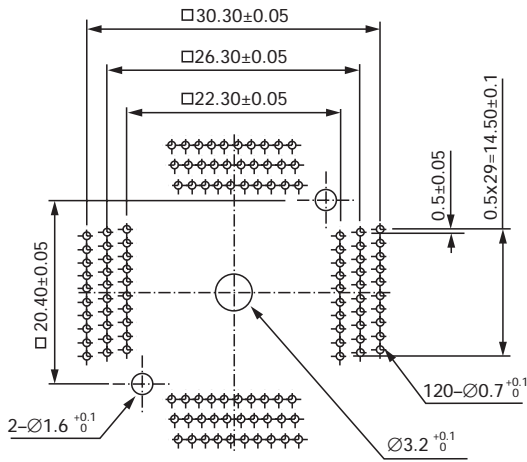
IC200 to IC248 - Open Top

Quad Flat Package (QFP)

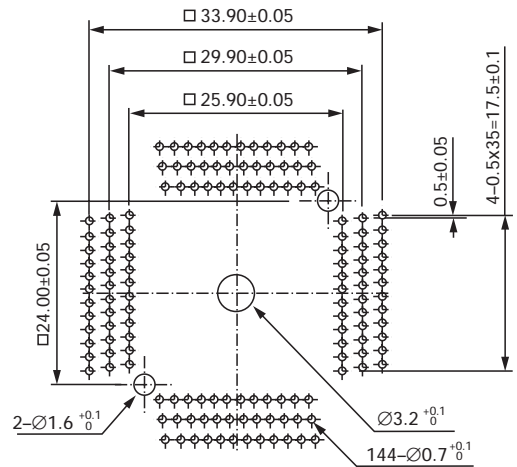
Recommended PCB Layouts (120 to 144 pins)

Top view from socket

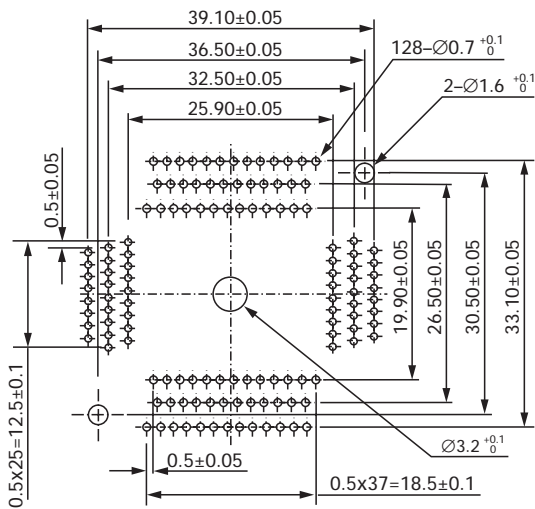
QFP IC201-1204-017 (120 Pins)



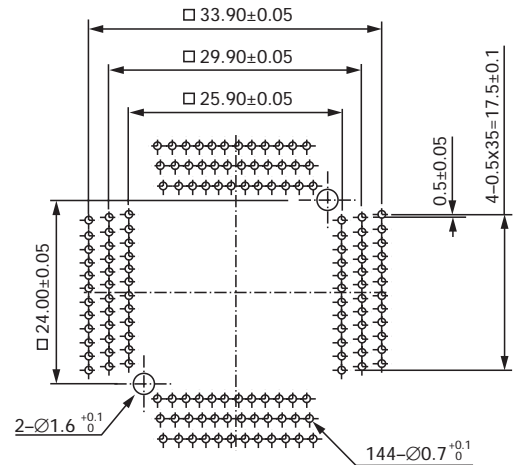
QFP IC201-1444-026-2 (144 Pins)



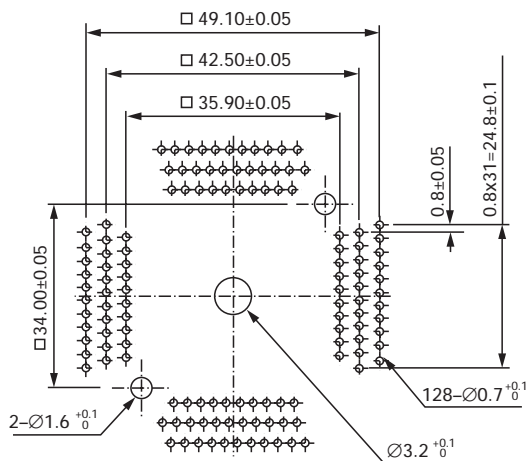
QFP IC248-1284-007 (128 Pins)



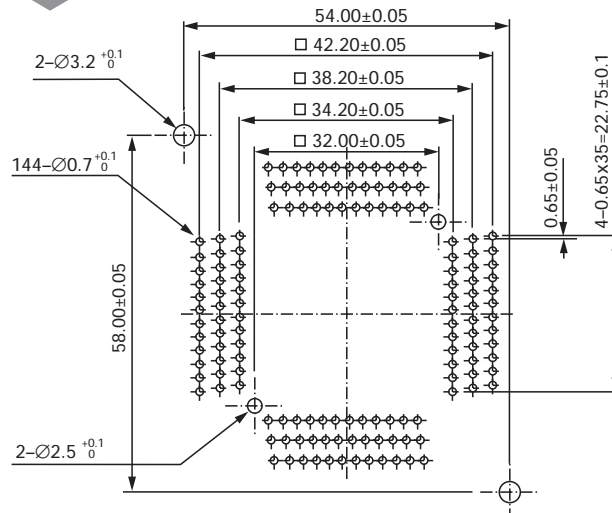
QFP IC201-1444-034 (144 Pins)



QFP IC200-1284-001 (128 Pins)



QFP IC217-1444-003 (144 Pins)



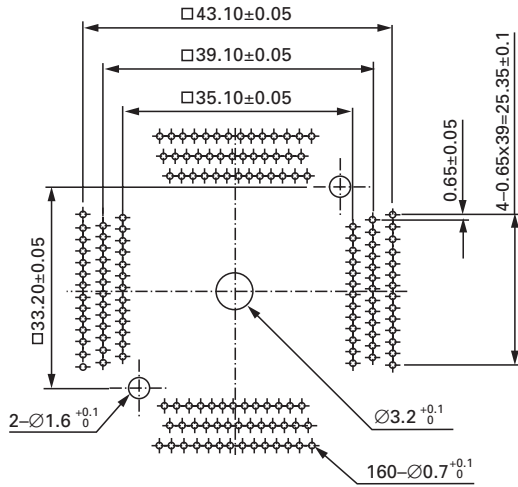
IC200 to IC248 - Open Top

Quad Flat Package (QFP)

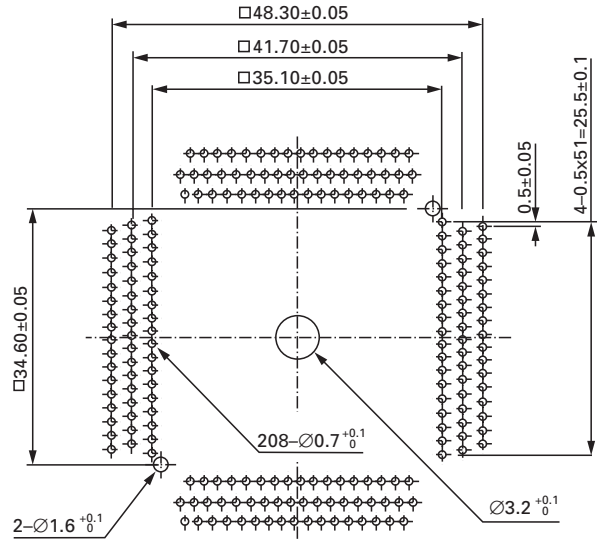
Recommended PCB Layouts (160 to 208 pins)

Top view from socket

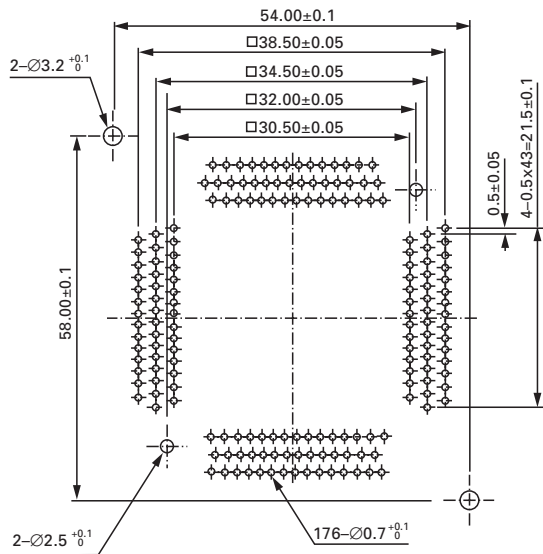
QFP IC201-1604-006 (160 Pins)



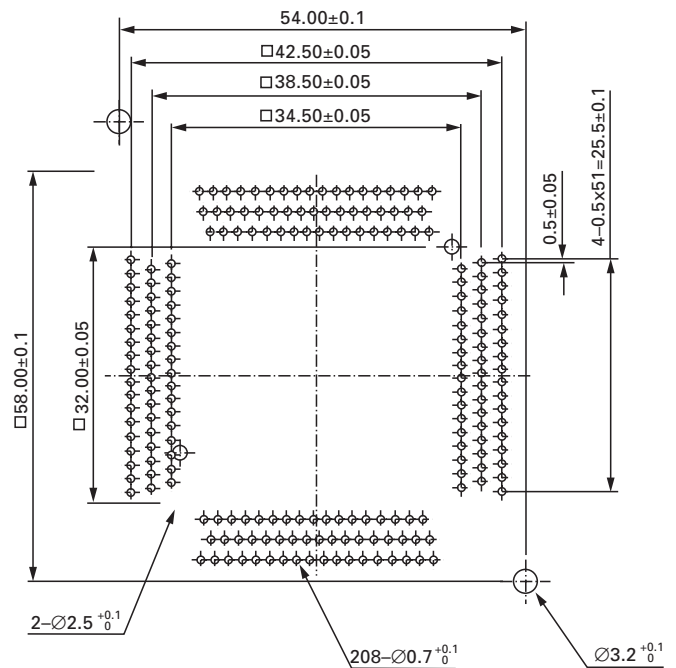
QFP IC200-2084-009 (208 Pins)



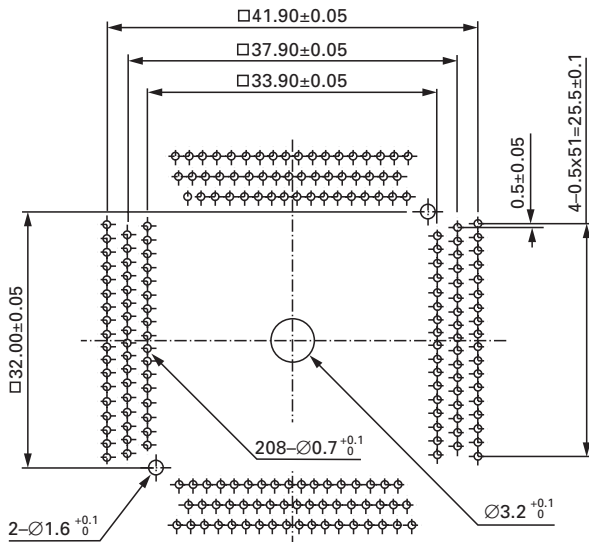
QFP IC217-1764-004 (176 Pins)



QFP IC217-2084-001 (208 Pins)



QFP IC201-2084-001 (208 Pins)



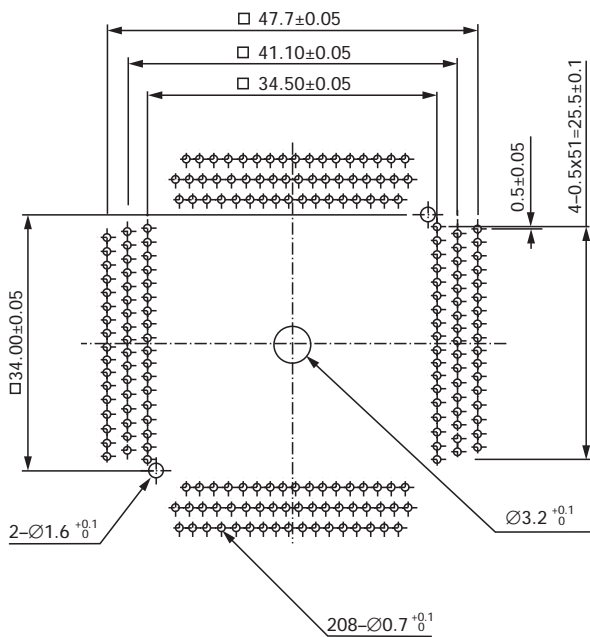
IC200 to IC248 - Open Top

Quad Flat Package (QFP)

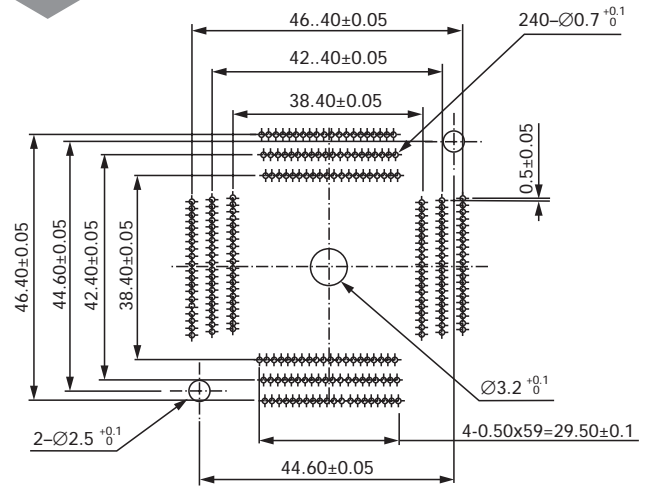
Recommended PCB Layouts (208 to 304 pins)

Top view from socket

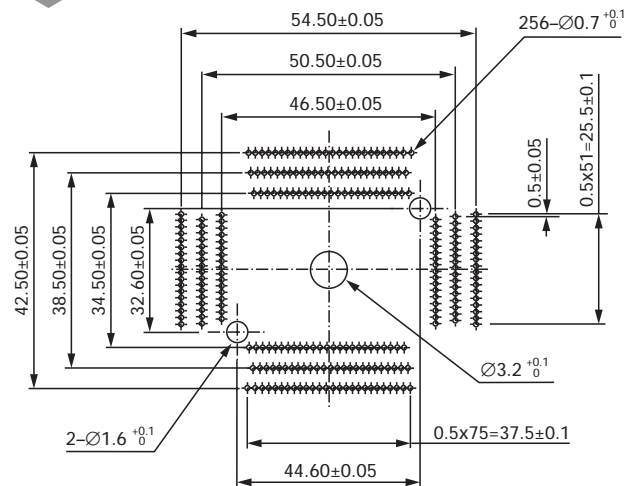
QFP IC200-2084-010 (208 Pins)



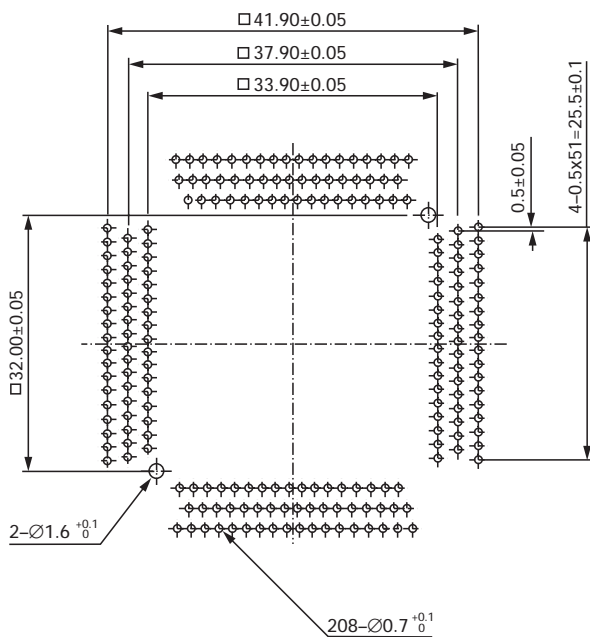
QFP IC217-2404-007 (240 Pins)



QFP IC201-2564-002-2 (256 Pins)



QFP IC201-2084-029 (208 Pins)



QFP IC201-3044-004 (304 Pins)

